

DIGITAL SUBSCRIBER LINE ACCESS SERVICE

PREFACE

The tariff provides the rules, regulations and pricing for DIGITAL SUBSCRIBER LINE ACCESS SERVICE (DSL service) as provided by Barry County Telephone Company. This document will be maintained as one complete unit and any subsequent changes will be included in an entirely new copy of this document. The filename of the various versions of this document will be as follows: DSL_YYYYMMDD where YYYY is the year, MM is the month and DD is the date of the document.

Index and list of pages:

Description of ADSL service	Section 1	Pages 2-30
Rates and Charges	Section 2	Pages 31-35

DIGITAL SUBSCRIBER LINE ACCESS SERVICE

1. Digital Subscriber Line Access Services

Digital Subscriber Line Access Services provide transmission services over local exchange service facilities that can be used for simultaneous voice and data communications. Service is provided between customer designated premises and designated Telephone Company Serving Wire Centers.

1.1 Asymmetric Digital Subscriber Line Access Service

1.1.1 General

Asymmetric Digital Subscriber Line (ADSL) Access Service enables data traffic generated by a customer-provided modem to be transported to a DSL Access Service Connection Point using the Telephone Company's local exchange service facilities. A DSL Access Service Connection Point is any interconnection point designated by the Telephone Company herein at which the customer may interconnect its ADSL Access Service provided by the Telephone Company with the interstate services described below. The designated DSL Access Service Connection Point is as follows:

Lacey, MI CLLI = LACYMIXI, NPANXX= 269-758

DSL-equipped serving wire centers (SWC) are as follows:

SWC Name	CLLI Code	NPA-NXX
Banfield, MI	BNFDMIXI	269-721
Delton, MI	DELTMIXI	269-623
Pine Lake, MI	PNLKMIXI	269-664
Lacey, MI	LACYMIXI	269-758

More details about this point are listed in the NATIONAL EXCHANGE CARRIER ASSOCIATION, INC. Tariff F.C.C. No. 4. The DSL Access Service Connection Point aggregates ADSL Access Service data traffic from and to suitably equipped Telephone Company Serving Wire Centers (SWCs). The DSL Access Service Connection Point may be located within the operating territory of the Telephone Company for connections to Special Access Services, Frame Relay Access Service, Asynchronous Transfer Mode Cell Relay Access Service (ATM-CRS) or Ethernet Transport Service (ETS). As specified below, the DSL Access Service Connection Point may also be located in the operating territory of another telephone company for connections to special access services, frame relay access service, or Ethernet access service, provided both telephone companies agree to such an arrangement.

1. Digital Subscriber Line Access Services (Cont'd)

1.1 Asymmetric Digital Subscriber Line Access Service (Cont'd)

1.1.1 General (Cont'd)

When both the ADSL-equipped SWC and its associated DSL Access Service Connection Point are located within the Telephone Company's operating territory, the customer's ADSL Access Service must be connected to the customer designated premises of a single telecommunications service provider (TSP) using the Telephone Company's Special Access Services, Frame Relay Access Service, ATM-CRS, or ETS offering.

When both the ADSL-equipped SWC from which the Telephone Company provides local exchange and exchange access services and its associated DSL Access Service Connection Point are located in the operating territory of an adjacent telephone company, the customer's ADSL Access Service must be connected to the customer designated premises of a single TSP using either equivalent special access service, frame relay access service or Ethernet access service provided by the other telephone company.

When the ADSL-equipped SWC is located within the Telephone Company's operating territory and its associated DSL Access Service Connection Point is located in the operating territory of an adjacent telephone company, the customer's ADSL Access Service must be connected to the customer designated premises of a single TSP using either: 1) equivalent frame relay access service provided by the other telephone company, 2) a combination of DSL Extended Transport provided by the Telephone Company under this offering and equivalent special access service provided by the other telephone company, or 3) a combination of DSL Extended Transport provided by the Telephone Company under this offering and equivalent Ethernet access service provided by the other telephone company.

When the ADSL-equipped SWC is located within the Telephone Company's operating territory and its associated DSL Access Service Connection Point is located in the operating territory of a non-adjacent telephone company, the customer's ADSL Access Service must be connected to the customer designated premises of a single TSP using either: 1) equivalent frame relay access service provided by the other telephone company or 2) a combination of DSL Extended Transport provided by the Telephone Company under this offering and equivalent special access service provided by the other telephone company.

1. Digital Subscriber Line Access Services (Cont'd)1.1 Asymmetric Digital Subscriber Line Access Service (Cont'd)1.1.1 General (Cont'd)

Where technically feasible, ADSL Access Service is available as two service options, i.e., ADSL Voice-Data and ADSL Data-Only.

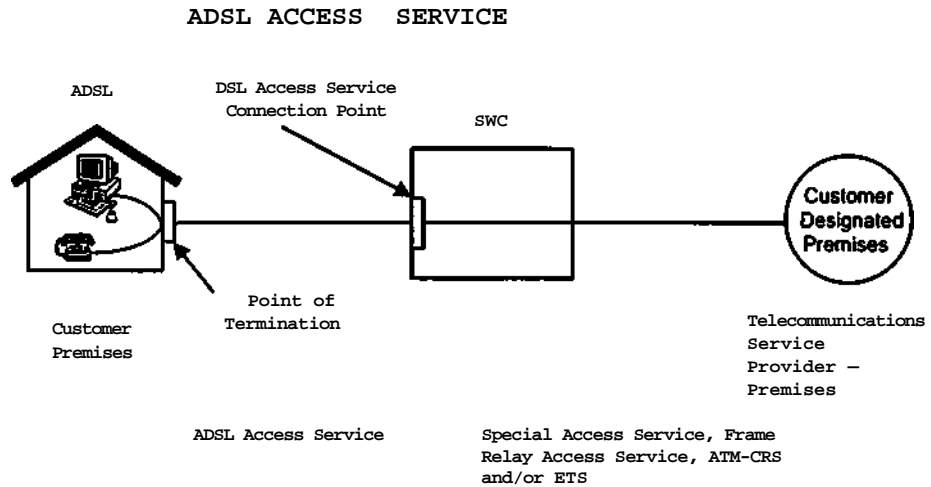
- (A) The ADSL Voice-Data option provides transmission of data signals using the Telephone Company's existing local exchange service line at peak data transmission speeds of 512 kbps upstream/6 Mbps downstream, 1 Mbps upstream/6 Mbps downstream, 3 Mbps upstream/15 Mbps downstream or 5 Mbps upstream/50 Mbps downstream. The ADSL Voice-Data option may be used for simultaneous voice and data communications.
- (B) The ADSL Data-Only option provides transmission of data signals using the Telephone Company's existing local exchange facilities at peak transmission speeds of 512 kbps upstream/6 Mbps downstream, 1 Mbps upstream/6 Mbps downstream, 3 Mbps upstream/15 Mbps downstream or 5 Mbps upstream/50 Mbps downstream. The ADSL Data-Only option does not provide the ability to transmit voice communications.

1. Digital Subscriber Line Access Services (Cont'd)

1.1 Asymmetric Digital Subscriber Line Access Service (Cont'd)

1.1.1 General (Cont'd)

A generic view of how ADSL Access Service could be interconnected with a TSP's network is depicted in the figures following. In the first example, the customer's ADSL-equipped Serving Wire Center and associated DSL Access Service Connection Point are located in the same office within the Telephone Company's operating territory. The ADSL Access Service customer orders ADSL Access Service pursuant to the provisions specified in this section. The ADSL Access Service customer's TSP orders Special Access Services, Frame Relay Access Service, Asynchronous Transfer Mode Cell Relay Access Service (ATM-CRS) and/or Ethernet Transport Service (ETS) pursuant to the provisions specified in their interstate access tariff to connect its customer designated premises to the DSL Access Service Connection Point.



Digital Subscriber Line Access Services (Cont'd)

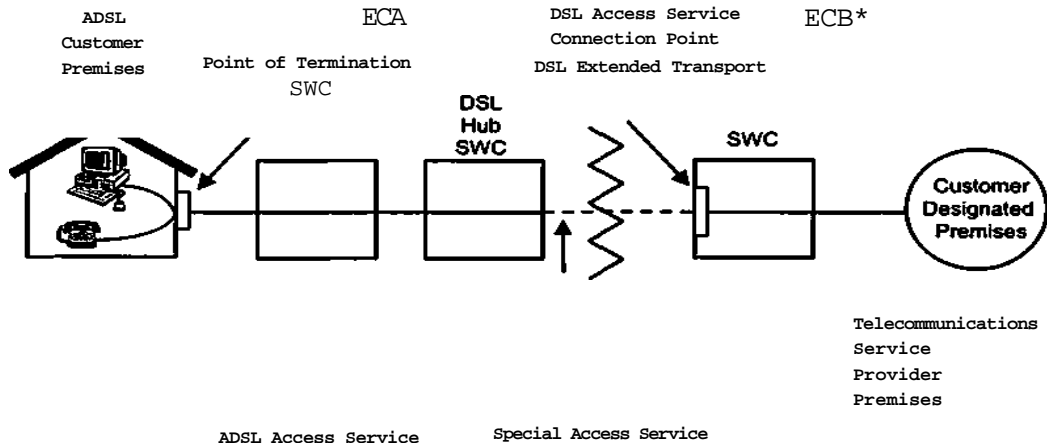
1.1 Asymmetric Digital Subscriber Line Access Service (Cont'd)

1.1.1 General (Cont'd)

In the example shown below, the DSL Access Service Connection Point is located outside the Telephone Company's operating territory in an adjacent telephone company's operating territory and the customer's TSP uses special access service to connect its CDP to that DSL Access Service Connection Point. The ADSL Access Service customer orders ADSL Access Service pursuant to the provisions specified in this offering. In order to connect its customer designated premises to the DSL Access Service Connection Point, the ADSL Access Service customer's TSP orders DSL Extended Transport from the Telephone Company as specified in this offering and equivalent special access service from the adjacent telephone company.

E

ADSL ACCESS SERVICE



* If ECB is a non-NECA company, the application of their charges will depend on their access tariff

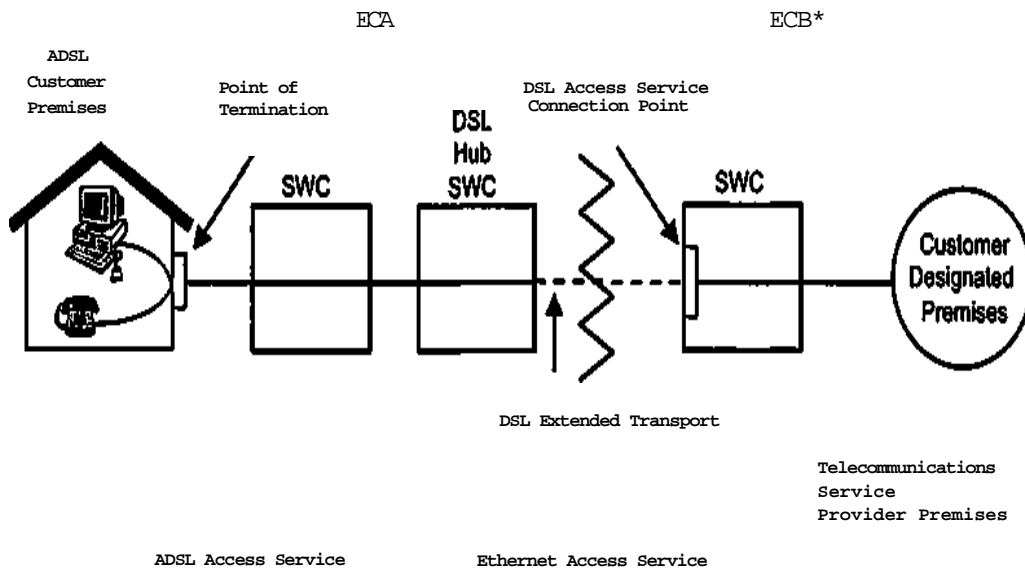
Digital Subscriber Line Access Services (Cont'd)

1.1 Asymmetric Digital Subscriber Line Access Service (Cont'd)

1.1.1 General (Cont'd)

In the example shown below, the DSL Access Service Connection Point is located outside of the Telephone Company's operating territory in the operating territory of an adjacent telephone company and the customer's TSP uses Ethernet access service to connect its CDP to that DSL Access Service Connection Point. The ADSL Access Service customer orders ADSL Access Service pursuant to the provisions specified in this offering. In order to connect its customer designated premises to the DSL Access Service Connection Point, the ADSL Access Service customer's TSP orders DSL Extended Transport from the Telephone Company as specified in this offering and equivalent Ethernet access service from the adjacent telephone company.

ADSL ACCESS SERVICE



* If EC B is a non-NECA company, the application of their charges will depend on their access tariff

1. Digital Subscriber Line Access Services (Cont'd)1.1 Asymmetric Digital Subscriber Line Access Service (Cont'd)1.1.2 Limitations

(A) ADSL Access Service is available as two service options as described in Section 8.1.1, preceding. Where suitable facilities exist, the Telephone Company will offer ADSL Access Service at the following maximum upstream (i.e., from the customer's equipment up to the DSL Access Service Connection Point) and downstream (i.e., from the DSL Access Service Connection Point down to the customer's equipment) speeds:

- (1) 512 kbps upstream/6 Mbps downstream or 1 Mbps upstream/6 Mbps downstream in compliance with the requirements specified in Technical Reference ANSI T1.413-1998, unless otherwise specified in Section 8.1.6, following.
- (2) 3 Mbps upstream/15 Mbps downstream in compliance with the requirements specified in Technical Reference ITU-T G.992.5-January 2005.
- (3) 5 Mbps upstream/50 Mbps downstream in compliance with the requirements specified in Technical References
ITU-T G.983.1-January 2005, ITU-T G.983.2-July 2005, ITU-T G.983.3-March 2001, ITU-T G.983.4-November 2001, ITU-T G.984.1-March 2008, ITU-T G.984.2-March 2003, ITU-T G.984.3-March 2008, ITU-T G.984.4-February 2008, and/or IEEE Std. 802.3-2005, Part 3, Section 5, Clauses 56 through 67.

These peak speeds are not guaranteed by the Telephone Company due to factors that may affect the actual speeds delivered, including the ADSL Access Service customer's distance from the Telephone Company Serving Wire Center, condition of the existing local exchange service facilities, and any capacity limitations in the TSP's network design.

1. Digital Subscriber Line Access Services (Cont'd)

1.1 Asymmetric Digital Subscriber Line Access Service (Cont'd)

1.1.2 Limitations (Cont'd)

- (B) The Telephone Company does not provide customer premises equipment (CPE) in conjunction with the ADSL Access Service offering.
- (C) ADSL Access Service may not be used in conjunction with multi-point Special Access Service configurations as described in the Telephone Company's applicable interstate access tariff
- (D) ADSL Access Service will be furnished where suitable facilities exist as determined by the Telephone Company. The Telephone Company will identify its ADSL-equipped Serving Wire Centers, DSL Access Service Connection Point Serving Wire Centers, and, if applicable, DSL Transport Hub Serving Wire Centers in the NATIONAL EXCHANGE CARRIER ASSOCIATION, INC. Tariff F.C.C. No. 4.
- (E) ADSL Access Service will be provided over existing Telephone Company local exchange service facilities. When the customer orders the ADSL Voice-Data option, the rates and regulations for ADSL Access Service are in addition to any rates and regulations that apply for the associated local exchange service line provided under the terms and conditions in the Telephone Company's general and/or local exchange service tariffs or offerings. The Telephone Company will automatically disconnect the ADSL Access Service Voice-Data option when the associated local exchange service line is disconnected for any reason.

1. Digital Subscriber Line Access Services (Cont'd)1.1 Asymmetric Digital Subscriber Line Access Service (Cont'd)1.1.2 Limitations (Cont'd)

(F) Rates and regulations for Special Access Services, Frame Relay Access Service, Asynchronous Transfer Mode Cell Relay Access Service and Ethernet Transport Service provided under the Telephone Company's applicable interstate tariff will apply for the access service(s) provided between the TSP's customer designated premises and the DSL Access Service Connection Point.

1.1.3 Undertaking of the Telephone Company

Where technically feasible, the Telephone Company will offer ADSL Access Service as described in Section 1.1.2, preceding. The Telephone Company will provide ADSL Access Service at rates and charges as set forth in Sections 2.4.9(A), 2.4.9(C), 2.4.9(G), and/or 2.4.9(H), as follows:

- (A) The Telephone Company will determine if the associated local exchange service line or facilities are suitable for use with the ADSL Access Service option ordered by the customer. Service will not be provided on lines that the Telephone Company determines are not suitable for ADSL Access Service or on lines that produce interference with other services provided by the Telephone Company.
- (B) The Telephone Company, after determining if the facilities are suitable for ADSL Access Service, will notify the customer if any additional CPE is necessary to support ADSL Access Service.
- (C) The Telephone Company will provision and maintain ADSL Access Service from the DSL Access Service Connection Point to the Point of Termination at the ADSL Access Service customer's premises, except as provided for in Section 1.1.5(D), following.
- (D) The Telephone Company will notify the ADSL Access Service customer's TSP when DSL Extended Transport, as described in Section 1.1.5(D), following, is required.

1. Digital Subscriber Line Access Services (Cont'd)1.1 Asymmetric Digital Subscriber Line Access Service (Cont'd)1.1.4 Obligations of the Customer

In addition to the applicable regulations described in the Telephone Company's interstate access tariff, the following provisions apply to ADSL Access Service:

- (A) The customer is responsible for providing the Telephone Company with the necessary information to provision ADSL Access Service (e.g., customer name, telephone number and premises address; billing name and address when different from the customer name and premise address; its internet Protocol (IP) address; and the contact name and telephone number of the TSP with which the customer's ADSL Access Service will interconnect).
- (B) The customer is responsible for providing and maintaining all required CPE, which is compatible with ADSL Access Service and complies with the applicable Technical References specified in Section 1.1.2(A), preceding.
- (C) Where required, the ADSL Access Service customer's TSP will order DSL Extended Transport from each Telephone Company designated DSL Transport Hub to its associated DSL Access Service Connection Point as described in Section 1.1.5(D), following.

1. Digital Subscriber Line Access Services (Cont'd))

1.1 Asymmetric Digital Subscriber Line Access Service (Cont'd)

1.1.5 Rate Regulations

This section contains the regulations governing the rates and charges that apply for ADSL Access Service. Regulations governing the rates and charges for the Special Access Services, Frame Relay Access Service, Asynchronous Transfer Mode Cell Relay Access Service and Ethernet Transport Service used in conjunction with ADSL Access Service are as specified in the applicable section of the Telephone Company's interstate access tariff.

(A) Minimum Period

The minimum period for which ADSL Access Service is provided to a customer and for which charges are applicable is one month.

(B) Moves

A move involves a change in the physical location of one of the following:

The Point of Termination at the ADSL Access Service customer designated premises
The ADSL Access Service customer designated premises.

The provisions for moves of ADSL Access Service are the same as those described in Section 7.2.3 of the Telephone Company's interstate access tariff, except that an Access Order Charge will not apply to move orders for the ADSL Access Service Voice-Data option.

1. Digital Subscriber Line Access Services (Cont'd)1.1 Asymmetric Digital Subscriber Line Access Service (Cont'd)1.1.5 Rate Regulations (Cont'd)(C) Temporary Suspension of Service

When an end user temporarily suspends the local exchange service that is associated with an ADSL Voice-Data option, one half of the monthly ADSL Voice-Data Line Charge will be temporarily suspended for the time period the associated local exchange service is suspended.

(D) DSL Extended Transport

DSL Extended Transport is required when: 1) the Telephone Company providing ADSL Access Service locates its DSL Access Service Connection Point outside its operating territory in the operating territory of another telephone company and 2) the ADSL Access Service customer's TSP connects its customer designated premises to the DSL Access Service Connection Point using Special Access Service described in the Telephone Company's interstate access tariff or equivalent special access service provided by the other telephone company.

DSL Extended Transport is also required when: 1) the Telephone Company providing ADSL Access Service locates its DSL Access Service Connection Point outside its operating territory in the operating territory of an adjacent telephone company and 2) the ADSL Access Service customer's TSP connects its customer designated premises to the DSL Access Service Connection Point using Ethernet Transport Service described in the Telephone Company's interstate access tariff or equivalent Ethernet access service provided by the adjacent telephone company.

1. Digital Subscriber Line Access Services (Cont'd)1.1 Asymmetric Digital Subscriber Line Access Service (Cont'd)1.1.5 Rate Regulations (Cont'd)(D) DSL Extended Transport (Cont'd)

DSL Extended Transport provides the TSP with a virtual circuit path between a Telephone Company-designated DSL Transport Hub and its associated DSL Access Service Connection Point location. The Telephone Company must designate at least one DSL Transport Hub SWC location within its operating territory when it locates a DSL Access Service Connection Point outside its operating territory. The DSL Transport Hub aggregates ADSL and/or SDSL Access Services data traffic within the operating territory of the Telephone Company providing the DSL Access Service.

DSL Extended Transport is available between:

1) a DSL Transport Hub SWC and its associated DSL Access Service Connection Point SWC located within the United States when the ADSL customer's TSP connects its CDP to the DSL Access Service Connection Point using special access services,
2) a DSL Transport Hub SWC and its associated DSL Access Service Connection Point SWC located in an adjacent telephone company's operating territory when the ADSL customer's TSP connects its CDP to the DSL Access Service Connection Point using Ethernet access service.

1. Digital Subscriber Line Access Services (Cont'd)1.1 Asymmetric Digital Subscriber Line Access Service (Cont'd)1.1.5(D) DSL Extended Transport (Cont'd)

Where required, DSL Extended Transport is used to transmit ADSL data traffic. DSL Extended Transport is available at a speed of 1.544 Mbps when used in conjunction with special access service and at speeds of 10 Mbps, 20 Mbps, 50 Mbps, 100 Mbps, 500 Mbps and 1 Gbps when used in conjunction with Ethernet access service. The TSP is responsible for determining and ordering the number of DSL Extended Transport virtual circuit paths it requires to meet its end users' data transmission needs. The TSP must place an order for at least one 1.544 Mbps DSL Extended Transport virtual circuit path, where required, when it places the order for Special Access Service (or equivalent special access service) to connect its customer designated premises to the DSL Access Service Connection Point. The TSP must place an order for at least one 10 Mbps DSL Extended Transport virtual circuit path, where required, when it places the order for Ethernet Transport Service (or equivalent Ethernet access service) to connect its customer designated premises to the DSL Access Service Connection Point. An Access Order Charge applies per order for the installation of DSL Extended Transport.

1. Digital Subscriber Line Access Services (Cont'd)1.1 Asymmetric Digital Subscriber Line Access Service (Cont'd)1.1.5(D) DSL Extended Transport (Cont'd)(1) Mileage Measurement

- (a) The mileage to be used to determine the monthly charges for each DSL Extended Transport virtual circuit path is calculated using the airline distance between each DSL Transport Hub and its associated DSL Access Service Connection Point when both locations are within the United States. To determine the applicable monthly charges, first compute the mileage using the V&H coordinates method, as described in the NATIONAL EXCHANGE CARRIER ASSOCIATION, INC. TARIFF F.C.C. No. 4. When the calculation results in a fraction of a mile, always round up to the next whole mile before determining the total mileage and applying the rates. Once the total mileage for each path is determined, multiply the number of miles times the DSL Extended Transport per mile rates. The following example is an illustrative model, only provided for the purpose of clarification. Actual charges will vary, dependent upon the effective DSL Extended Transport per mile rates.

Example:

- TSP orders two 1.544 Mbps DSL Extended Transport paths between a DSL Transport Hub SWC and the associated DSL Access Service Connection Point SWC. Both SWCs are located within the United States.
- Total mileage between the SWCs is calculated at 28.4 miles.

1. Digital Subscriber Line Access Services (Cont'd)

1.1 Asymmetric Digital Subscriber Line Access Service (Cont'd)

1.1.5(D) DSL Extended Transport (Cont'd)

(1) Mileage Measurement (Cont'd)

Monthly charges for DSL Extended Transport are determined as follows:

Fractional mileage rounded up to the next whole mile equals 29 miles.

First 25 miles x \$0.00 per mile equals \$0.00 per path.

- Next four miles x \$15.31 per mile equals \$61.24 per path.

- Total mileage charges for DSL Extended Transport in this example equal \$122.48 per month (i.e., \$61.24 x two paths).

1. Digital Subscriber Line Access Services (Cont'd)1.1 Asymmetric Digital Subscriber Line Access Service (Cont'd)1.1.5 Rate Regulations (Cont'd)(E) Rate Categories

There are two types of rates and charges applicable to ADSL Access Service. These are a monthly rate and a nonrecurring charge.

The monthly rate for the ADSL Line Charge applies each month or fraction thereof for each ADSL Voice-Data option and ADSL Data-Only option ordered by the customer. The monthly rate for DSL Extended Transport applies each month or fraction thereof for each virtual circuit path as described in Section 1.1.5(D), preceding.

A nonrecurring charge applies for each ADSL Voice-Data and ADSL Data-Only option ordered by the customer for the installation of ADSL Access Service. The nonrecurring charge will be waived for each new ADSL Voice-Data option and ADSL Data-Only option Access Line ordered when the customer commits to retain the ADSL Access Line for a minimum period of 12 months following installation of service. If the ADSL Access Line is disconnected for any reason prior to the end of the 12-month minimum commitment period other than for an ADSL service conversion as described below, the Telephone Company will bill the customer an amount equal to the waived nonrecurring charge.

Except as otherwise specified in Section 1.1.5(E), below, changes to an existing ADSL Access Service will be treated as a discontinuance of the existing service and an installation of a new service. Such changes include an ADSL service conversion or a change of TSP. A nonrecurring installation charge will apply per ADSL Access Service line for this work activity.

1. Digital Subscriber Line Access Services (Cont'd)1.1 Asymmetric Digital Subscriber Line Access Service (Cont'd)1.1.5 Rate Regulations (Cont'd)(E) Rate Categories (Cont'd)

ADSL service conversions include change of a service option (i.e., replacing ADSL Voice-Data with ADSL Data-Only, or vice versa), any change of a speed level (e.g., replacing ADSL Voice-Data 512 kbps with ADSL Voice-Data 1 Mbps), or any combination of a simultaneous change of service option and speed level (e.g., replacing ADSL Voice-Data 512 kbps with ADSL Data-Only 1 Mbps). When a customer orders an ADSL service conversion but has not met its 12-month minimum commitment on the existing ADSL service, the Telephone Company will not bill the previously waived nonrecurring charge if the customer commits to a new minimum 12-month period for the newly converted ADSL service.

The following administrative changes will be made without charge to the customer:

- Change of customer premises address when the change of address is not a result of a physical relocation of equipment,
- Change in billing data (name, address or contact name or telephone),
- Change of billing account number,
- Change of agency authorization that requires no changes to the Telephone Company's network,
- Change in the ADSL Access Service customer's existing IP address when requested by the customer's TSP,
- Change to limit the data speed delivered over the customer's existing ADSL Access Service line when requested by the customer's TSP,
- Change of customer contact name or telephone number, and
- Change of jurisdiction.

The nonrecurring installation charge will not apply to restore an ADSL Access Service that was temporarily suspended by the Telephone Company for non-payment of charges.

1. Digital Subscriber Line Access Services (Cont'd)

1.1 Asymmetric Digital Subscriber Line Access Service (Cont'd)

1.1.5 Rate Regulations (Cont'd)

(E) Rate Categories (Cont'd)

Rates and charges for ADSL Access Service are as set forth in Section 2.1(A), following, when the customer purchases ADSL Access Service under the DSL Access Services Wholesale Pricing Plan as described in Section 1.2, following. The rates for DSL Extended Transport are as set forth in Section 2.1(B), following.

1. Digital Subscriber Line Access Services (Cont'd)1.2 DSL Access Services Wholesale Pricing Plan

1.2.1 General

The telecommunications services offered under the DSL Access Services Wholesale Pricing Plan (DSL WPP) are provided at wholesale rates to the customer under the conditions listed below.

- (A) The customer purchases ADSL Access Service as described in Section 1.1, preceding, for the purpose of combining these telecommunications services with its own information service(s) to create a new retail service for sale to its end user customer(s).
- (B) In addition to the obligations specified in Section 1.1.4, preceding, the customer assumes the following obligations:
 - (1) The customer will deal directly with its end user customers with respect to all matters pertaining to the service provided, including marketing, sales, ordering, installation, maintenance, trouble reporting, repair, billing and collections. The customer will not direct its end users to contact the Telephone Company for any aspect of the service the customer provides.
 - (2) The customer will submit orders for ADSL Access Service to the Telephone Company in a format and manner designated by the Telephone Company.
 - (3) The customer will obtain the appropriate authorization to allow the Telephone Company to provision ADSL and/or SDSL Voice-Data Access Service over the customer's end user's existing telephone exchange service line.

1. Digital Subscriber Line Access Services (Cont'd)1.2 DSL Access Services Wholesale Pricing Plan (Cont'd)1.2.1 General (Cont'd)

When the customer purchases ADSL and/or SDSL Access Service under the DSL WPP, the rates and charges in Section 2.1(C), following, will apply in lieu of the rates and charges specified in Section 2.1(A), following, for ADSL Access Service.

Services provided under the DSL WPP are available under a DSL WPP Monthly Plan at the rates and charges specified in Section 2.1(C)(1), following, or under a DSL WPP Term Plan described in 1.2, below, at the rates and charges specified in Section 2.1(C)(2), following. A customer with a DSL WPP Term Plan cannot also have a DSL WPP Monthly Plan as all ADSL Access Service lines within the Telephone Company's study area are included in the DSL WPP Term Plan.

An Access Order Charge will not apply:

- To establish a new DSL WPP Monthly Plan, DSL WPP Term Plan or DSL WPP Volume Pricing Plan.
- To change an existing DSL WPP Term Plan or DSL WPP Volume Pricing Plan.
- To convert from an existing DSL WPP Monthly Plan to a DSL WPP Term Plan and vice versa.
- To terminate an existing DSL WPP Monthly Plan, DSL WPP Term Plan, or DSL WPP Volume Pricing Plan.

A monthly charge applies for each ADSL Access Service line covered under the DSL WPP. A nonrecurring charge applies for the installation of each ADSL Access Service line under the DSL WPP.

The Telephone Company will convert in-service ADSL Access Service lines originally purchased under the provisions specified in Section 1.1, preceding, to the DSL WPP, provided the customer obtains written authorization from its end users authorizing such conversions, where necessary. Per line nonrecurring charges specified in Section 2.1(C), following, do not apply to the conversion of in-service ADSL and/or SDSL Access Lines to a DSL WPP.

1. Digital Subscriber Line Access Services (Cont'd)1.5 DSL Access Services Wholesale Pricing Plan (Cont'd)1.5.2 DSL WPP Term Plan(A) Description

The DSL WPP Term Plan provides the customer with reduced rates based on the length of the customer's term commitment and its selected pricing plan for all of the customer's ADSL Access Service lines provided in the Telephone Company's study area. The DSL WPP Term Plan is available for term lengths of one or three years with a choice of two pricing plans. The Telephone Company will establish for the customer a single term plan commitment that will apply to all ADSL Access Service lines in the Telephone Company's study area.

When the customer subscribes to a DSL WPP Term Plan, all in-service ADSL Access Service lines provided out of and subsequently installed in the Telephone Company's study area will be billed the rates and charges specified in Section 2.1(C)(2), following, for the length of the term commitment. In addition to the applicable ADSL Line Charges, the customer will be billed a recurring monthly DSL WPP Term Plan Charge per study area as specified in Section 2.1(C)(2)(a) following, based on its selected pricing plan.

1. Digital Subscriber Line Access Services (Cont'd)

1.2 DSL Access Services Wholesale Pricing Plan (Cont'd)

1.2.2 DSL WPP Term Plan (Cont'd)

(A) Description (Cont'd)

If the Telephone Company decreases the rates specified in Section 2.1(C)(2), following, during the term of a commitment period, the decreased rates will automatically be applied for the remainder of the current commitment period.

At the end of the DSL WPP Term Plan, the customer may elect to establish a new DSL WPP Term Plan commitment, convert to the rates available under the DSL WPP Monthly Plan, or discontinue service. If the customer does not make an election by the end of the DSL WPP Term Plan, the rates for all in-service ADSL and/or SDSL Access Service lines will automatically be converted to the rates available under the DSL WPP Monthly Plan specified in Section 2.1(C)(1), following.

A DSL WPP Term Plan is subject to payment for early termination as described in (D), below.

1. Digital Subscriber Line Access Services (Cont'd)

1.2 DSL Access Services Wholesale Pricing Plan (Cont'd)

1.2.2 DSL WPP Term Plan (Cont'd)

(B) Upgrades in DSL WPP Term Plan

A customer may terminate a DSL WPP Term Plan without the application of a termination liability charge when the customer replaces its original DSL WPP Term Plan commitment with a new DSL WPP Term Plan commitment provided the commitment period for the new DSL WPP Term Plan meets or exceeds the number of months remaining in the existing DSL WPP Term Plan commitment period.

(C) Termination without Liability

A customer may terminate a DSL WPP Term Plan commitment without the application of a termination liability charge if the Telephone Company increases the DSL WPP Term Plan rates described in Section 2.1(C)(2), following, during the term of the existing commitment. The customer has 90 days following such rate increase to notify the Telephone Company in writing of its intent to terminate its DSL WPP Term Plan commitment under this section; otherwise, the increased rates will apply for the remainder of the commitment period.

1. Digital Subscriber Line Access Services (Cont'd)

1.2 DSL Access Services Wholesale Pricing Plan (Cont'd)

1.2.3 DSL WPP Term Plan (Cont'd)

(D) Termination with Liability

If the customer elects to terminate its DSL WPP Term Plan prior to the end of the commitment period for any reason other than specified in (B) or (C), above, a termination liability charge will apply. If the DSL WPP Term Plan is terminated prior to the end of the commitment period, the Telephone Company will bill the customer a charge equal to the monthly DSL WPP Term Plan Charge for its selected pricing plan as specified in Section 2.1(C)(2)(a), following, multiplied by the number of months remaining in the commitment period.

DSL WPP Monthly Plan rates as described in Section 2.1(C)(1), following, will apply to all in-service ADSL Access Lines following the early termination of a DSL WPP Term Plan.

1. Digital Subscriber Line Access Services (Cont'd)

1.2 DSL Access Services Wholesale Pricing Plan (Cont'd)

1.2.2 DSL WPP Term Plan (Cont'd)

(E) DSL Volume Pricing Plan

The DSL Volume Pricing Plan (DSL VPP) is an optional pricing plan that provides the DSL WPP Term Plan customer with a discount applied against the monthly ADSL Line Charges for all of its in-service lines in the Telephone Company's study area. In order to subscribe to and retain the DSL VPP, the customer must have a DSL WPP Term Plan commitment with the Telephone Company. The amount of the DSL VPP discount applied is based on the level of the monthly volume commitment selected by the DSL WPP Term Plan customer. The DSL VPP discount does not apply to any rate elements other than the monthly recurring DSL WPP Term Plan Line Charges specified in Section 2.4.9(H)(2)(b), following.

The customer will select its monthly volume commitment level based on its projected number of monthly in-service ADSL fAccess Service lines within the Telephone Company's study area.

In-service ADSL Access Service lines billed under the DSL WPP Monthly Plan are not eligible for the DSL VPP discount.

1. Digital Subscriber Line Access Services (Cont'd)

1.2 DSL Access Services Wholesale Pricing Plan (Cont'd)

1.2.2 DSL WPP Term Plan (Cont'd)

(E) DSL Volume Pricing Plan (Cont'd)

Available DSL VPP commitment levels and associated discounts are specified in Section 2.4.9(H)(2)(c) following.

The customer may order the DSL VPP at the same time it establishes a DSL WPP Term Plan commitment or at any time prior to the expiration of the existing DSL WPP Term Plan. The DSL VPP monthly commitment and discount applies for the balance of the DSL WPP Term Plan commitment period and ends when: (1) the DSL WPP Term Plan is terminated by the customer, (2) the DSL VPP is terminated by the customer, or (3) the DSL WPP Term Plan commitment is satisfied.

Each month on the bill date, the Telephone Company will determine if the DSL WPP Term Plan customer achieved its monthly volume commitment level of in-service ADSL Access Service lines. In any month in which the monthly volume commitment was not met, the Telephone Company will bill the customer a DSL VPP shortfall charge of \$10.00 per line for each line below its volume commitment level. The following example illustrates the application of the shortfall charge for a DSL WPP Term plan customer that selected a monthly volume commitment level of 2,500 lines. If on the bill date, the customer had achieved only a total of 2,250 in-service lines, the Telephone Company would assess a shortfall charge of \$2,500.00 (250 lines x \$10.00 per line). The shortfall charge would be in addition to the applicable discounted billing for the 2,250 in-service lines.

1. Digital Subscriber Line Access Services (Cont'd)

1.2 DSL Access Services Wholesale Pricing Plan (Cont'd)

1.2.2 DSL WPP Term Plan (Cont'd)

(E) DSL Volume Pricing Plan (Cont'd)

Upon providing thirty (30) days written notice to the Telephone Company, a customer with an existing DSL VPP will be permitted to increase the existing volume commitment when it establishes a new higher volume commitment level. The DSL VPP discount associated with the higher level of commitment will apply on a prospective basis for the balance of the DSL WPP Term Plan commitment period.

Upon providing thirty (30) days written notice to the Telephone Company, a customer with an existing DSL VPP will be permitted to terminate its existing volume commitment on a prospective basis as described herein. When the customer elects to terminate its existing DSL VPP for any reason, it will be prohibited from establishing a new DSL VPP commitment with the Telephone Company within the ninety (90) days following such termination. During this 90-day period, the customer will not be eligible for any DSL VPP discounts. Downgrades from a higher volume commitment level to a lower volume commitment level are treated as terminations subject to the provisions in this paragraph.

2. Rates and Charges

2.1 Digital Subscriber Line Access Services

(A) Asymmetric Digital Subscriber Line Access Service

Regulations concerning Asymmetric Digital Subscriber Line Access Service are set forth in Section 1.1, preceding.

ADSL Line Charge

Per Voice-Data Option

- 512 kbps/6 Mbps	\$32.79	\$250.00
- 1 Mbps/6 Mbps	\$36.05	\$250.00
- 3 Mbps/15 Mbps	\$39.87	\$250.00
- 5 Mbps/50 Mbps	\$45.60	\$250.00

Per Data-Only Option

- 512 kbps/6 Mbps	\$56.40	\$390.00
- 1 Mbps/6 Mbps	\$62.03	\$390.00
- 3 Mbps/15 Mbps	\$65.85	\$390.00
- 5 Mbps/50 Mbps	\$95.44	\$390.00

2. Rates and Charges (Cont'd)

2.1 Digital Subscriber Line Access Services (Cont'd)

(B) DSL Extended Transport

Regulations concerning DSL Extended Transport are set forth in Section 1.1.5(D), preceding.

Per DSL Extended Transport path, per mile

<u>Capacity</u>	<u>Monthly Rate</u>	
	<u>First 25 miles</u>	<u>Over 25 Miles</u>
1.544 Mbps	\$0.00	\$15.17
10 Mbps	\$21.21	\$21.21
20 Mbps	\$42.42	\$42.42
50 Mbps	\$68.93	\$68.93
100 Mbps	\$106.04	\$106.04
500 Mbps	\$291.61	\$291.61
1 Gbps	\$450.67	\$450.67

2. Rates and Charges (Cont'd)

2.1 Digital Subscriber Line Access Services (Cont'd)

(C) DSL Access Services Wholesale Pricing Plan

Regulations concerning the DSL Access Services Wholesale Pricing Plan (DSL WPP) are set forth in Section 1.5, preceding.

	<u>Monthly Rate</u>	<u>Nonrecurring Charge</u>
(1) <u>DSL WPP Monthly Plan</u>		
<u>Line Charges</u>		
ADSL Line Charge		
- Per Voice-Data Option		
- 512 kbps/6 Mbps	\$32.00	\$250.00
- 1 Mbps/6 Mbps	\$35.21	\$250.00
- 3 Mbps/15 Mbps	\$39.02	\$250.00
- 5 Mbps/50 Mbps	\$45.07	\$250.00
- Per Data-Only Option		
- 512 kbps/6 Mbps	\$55.62	\$390.00
- 1 Mbps/6 Mbps	\$61.19	\$390.00
- 3 Mbps/15 Mbps	\$65.00	\$390.00
- 5 Mbps/50 Mbps	\$87.48	\$390.00

(2) DSL WPP Term Plan

(a) DSL WPP Term Plan Charges

Per Study Area

- Pricing Plan A	\$110.12	none
- Pricing Plan B	\$550.62	none

- B

\$
5
5
0
.
6
2

2. Rates and Charges (Cont'd)2.1 Digital Subscriber Line Access Services (Cont'd)(C) DSL Access Services Wholesale Pricing Plan (Cont'd)(2) DSL WPP Term Plan (Cont'd)(b) DSL WPP Term Plan Line Charges

	Monthly Rate		Nonrecurring Charge
	<u>1 year</u>	<u>3 year</u>	
Plan A			
ADSL			
Voice Data Option			
- 512 kbps/6 Mbps	\$22.44	\$18.44	\$250.00
- 1 Mbps/6 Mbps	\$24.60	\$20.57	\$250.00
- 3 Mbps/15 Mbps	\$28.42	\$24.39	\$250.00
- 5 Mbps/50 Mbps	\$34.46	\$30.22	\$250.00
Data Only Option			
- 512 kbps/6 Mbps	\$50.69	\$45.97	\$390.00
- 1 Mbps/6 Mbps	\$52.54	\$47.82	\$390.00
- 3 Mbps/15 Mbps	\$56.36	\$51.64	\$390.00
- 5 Mbps/50 Mbps	\$76.88	\$72.64	\$390.00

2. Rates and Charges (Cont'd)

2.1 Digital Subscriber Line Access Services (Cont'd)

(C) DSL Access Services Wholesale Pricing Plan (Cont'd)

(2) DSL WPP Term Plan (Cont'd)

(b) DSL WPP Term Plan Line Charges

	Monthly Rate		Nonrecurring Charge
	<u>1 year</u>	<u>3 year</u>	
Plan B			
ADSL			
Voice Data Option			
- 512 kbps/6 Mbps	\$17.56	\$12.39	\$250.00
- 1 Mbps/6 Mbps	19.72	14.53	250.00
- 3 Mbps/15 Mbps	23.54	18.35	250.00
- 5 Mbps/50 Mbps	29.16	25.45	250.00
Data Only Option			
- 512 kbps/6 Mbps	\$44.80	\$43.74	\$390.00
- 1 Mbps/6 Mbps	46.66	45.33	390.00
- 3 Mbps/15 Mbps	46.66	45.33	390.00
- 5 Mbps/50 Mbps	71.58	68.40	390.00

(c) DSL Volume Pricing Plan

<u>Monthly Volume Commitment Level</u>	<u>Monthly Discount</u>
500 lines	5%
2,500 lines	10%
5,000 lines	15%